

IP65



STANDALONE GAS DETECTOR «EASY»

The Easy product line is as simple as it is ingenious: this stand-alone detector also has the functionality of a control device. This is a simple, high-quality, compact solution for small systems. The Easy product line can be ordered for use with most refrigerants, such as (H)FKW, HFO and Carbon Dioxide (CO₂), and can be ordered pre-calibrated for detecting other gases such as Propane (C₃H₈) or Methane (CH₄), and programmed for the normal alarm limits.

The Easy product line offers two built-in relay contacts, an alarm horn and a flashing light. The stand-alone gas detector can be used with 230 VAC or 24 VDC and features analogue as well as digital output signals.

The Easy product line can be easily installed by the customer



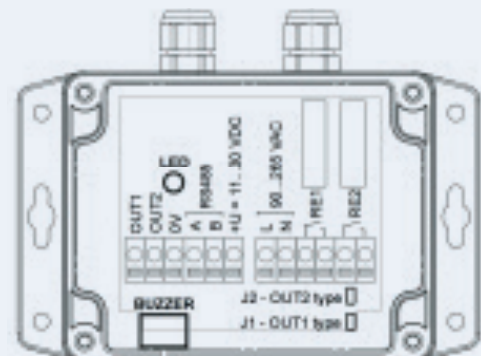
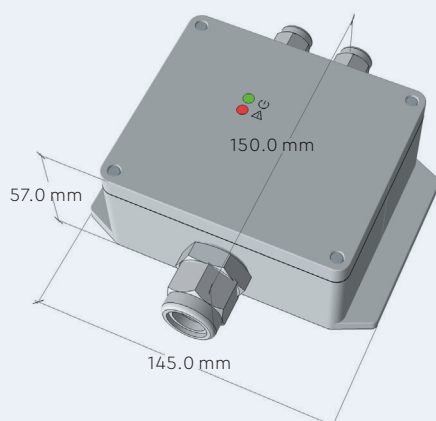
OVERVIEW:

- 2 YEARS WARRANTY
- SIMPLE DIY INSTALLATION
- DETECTOR AND GAS MONITOR IN A SINGLE PRODUCT
- OPTIONALLY AVAILABLE WITH ALUMINIUM HOUSING
- REPLACEABLE MEASURING ELEMENT
- PRE-PROGRAMMED ALARM LEVELS

TECHNICAL SPECIFICATIONS

SUPPLY VOLTAGE: 24 VDC/AC or 230 VAC | Integrated 85dB alarm horn | LED status display for operational status and malfunctions | LED alarm display for pre-alarm and main alarm
Protection level IP 65 | 2 built-in relay contacts | **SIGNAL OUTPUTS:** 4-20mA, 0-10VDC, Modbus RTU

DIMENSIONS AND ELECTRONICS



OVERVIEW OF AVAILABLE GAS DETECTORS PRODUCT LINE «EASY»

I2608-NH ₃ -E	NH ₃	Ammonia	0-100/300/1000 PPM
I2608-NH ₃ -S	NH ₃	Ammonia	0-1000 PPM
I2608-C ₂ H ₂ -S	C ₂ H ₂	Acetylene	0-100 % LEL
I2608-C ₄ H ₁₀ -S	C ₄ H ₁₀	Butane	0-100 % LEL
I2608-CO ₂ -I	CO ₂	Carbon Dioxide	0-5000/10'000/50'000 PPM
I2618-CO-E	CO	Carbon Monoxide	0-300 PPM
I2660-CO-NO ₂ -E	CO/NO ₂	Carbon Monoxide/Nitric Dioxide	0-300 PPM AND 0-10 PPM
I2608-Cl ₂ -E	Cl ₂	Chlorine	0-20 PPM
I2608-C ₂ H ₄ -E	C ₂ H ₄	Ethylene	0-10/200/1500 PPM
I2608-C ₂ H ₄ -S	C ₂ H ₄	Ethylene	0-100 % LEL
I2608-ETO-E	ETO	Ethylenoxide	0-20/100 PPM
I2608-HFC-S	HFC	(H)FKW	0-1000 PPM
I2608-H ₂ -S	H ₂	Hydrogen	0-100 % LEL
I2608-H ₂ S-E	H ₂ S	Hydrogen Sulphur	0-50/100/1000 PPM
I2608-CH ₄ -S	CH ₄	Methane	0-100 % LEL
I2608-CH ₄ -P	CH ₄	Methane	0-100 % LEL
I2608-NO-E	NO	Nitrogen Dioxide	0-30 PPM
I2608-NO ₂ -E	NO ₂	Nitrogen Monoxide	0-20 PPM
I2608-O ₂ -E	O ₂	Oxygen	0-25 VOL. %
I2608-O ₃ -E	O ₃	Ozone	0-5 PPM
I2608-C ₃ H ₈ -S	C ₃ H ₈	Propane	0-100 % LEL
I2608-C ₃ H ₈ -P	C ₃ H ₈	Propane	0-100 % LEL
I2608-SO ₂ -E	SO ₂	Sulphur Dioxide	0-50/100 PPM
I2608-VOC-S	VOC	VOC	0-100 % LEL